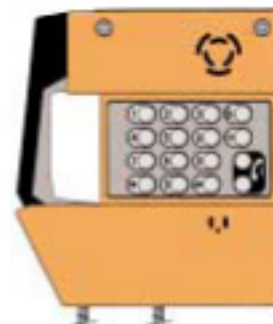


TLA227A1 Explosionproof & Weatherproof Telephone

The TLA227A1 series telephone is a Zone 1 certified hazardous area device designed to provide reliable operation in severe climates. DTMF / Pulse key pad dial or central battery (C.B.) variants are available plus "second receiver" option for extremely noisy environments.



Mechanical Specification

Dimensions	240H x 210W x 120D (mm)
I.P. Rating	Weather-proof I.P.65
Finish	Epoxy paint
Colour	RAL 2003
Weight	3.6 Kg
Temperature range	-30 / +50 °C

Order Codes

Hot line (without key pad)	TLC227A 1A
Hot line handset / hands - free	TLC227A 1T
With 14 push button key pad	TLA227A 1A
Handset / hands - free (loudspeaker / microphone / LED on - line indicator)	TLA227A 1T

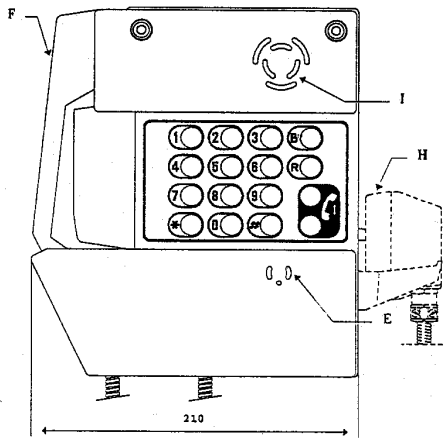
Electrical Specification

Voice frequency functionality	As per CCITT <<Q23>> recommendations
Loop resistance	500 to 800 W circuit centred on 600 W
Transmission	+2dB
Reception	+1db
Ringing Voltage	20V to 80V AC at 25 or 50Hz
Ringing Volume	>20dB at 1 Metre (adjustable)
Ringing impedance	>8KW
High performance ringer	>90dB at 1 metre
REN Number	1

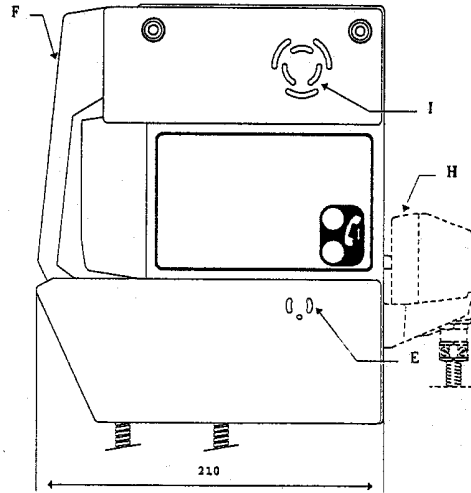
Key Features

- ✦ Ex Zone 1 Group IIC
- ✦ Vandal - resistant stainless-steel armored cord
- ✦ High quality audio transmission.
- ✦ Cast aluminium alloy enclosure and handset
- ✦ Flash Recall button
- ✦ Last number redial
- ✦ Easy maintenance - all electronics directly accessible
- ✦ Easy mounting - non-visible cable entries, two methods of fixing
- ✦ Fixing from the inside or with external stainless-steel brackets
- ✦ Pulse / DTMF dialling programmable
- ✦ Magnetic hook switch
- ✦ 2 EEXe cable gland entries for cable with external diam. 6 to 10mm

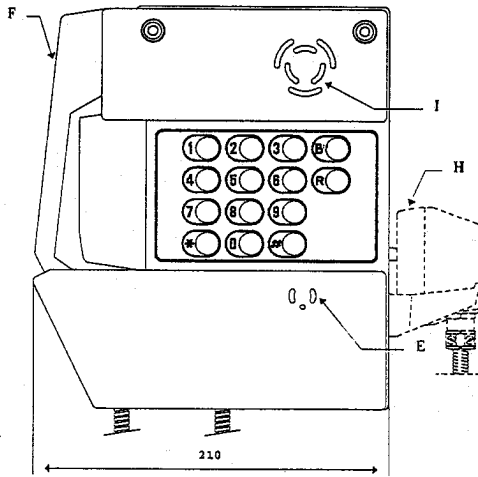
Type TLA227A1T



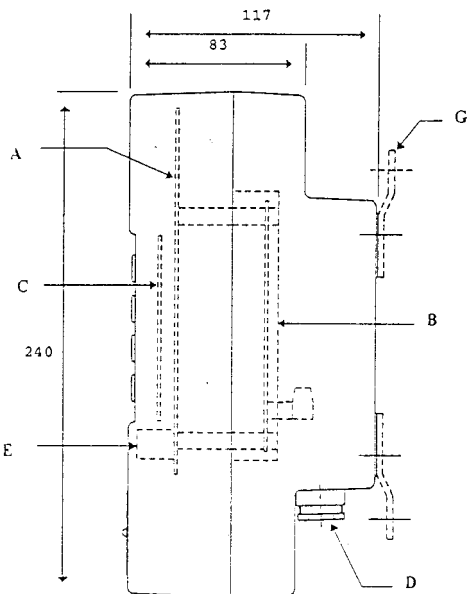
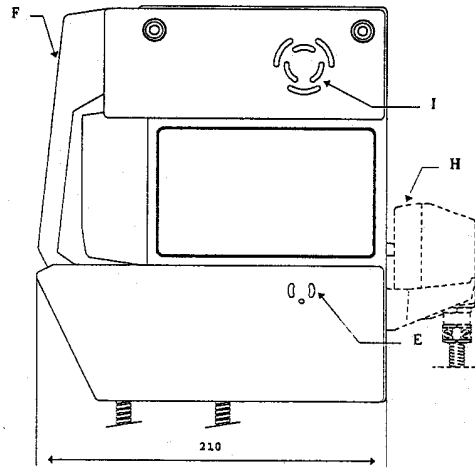
Type TLC227A1T



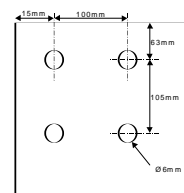
Type TLA227A1A



Type TLC227A1A



Standard Fixing Centres
(Viewed from the rear)



- | | |
|-----------------------------------------------|-------------|
| A - Telephone card pulse / tone | WK221CMA |
| B - Intrinsic safety card | WK118PLI |
| C - Keypad card | WK092CMA |
| D - 2 Eex cable entries for cable dia 10-13mm | EEL13C10*13 |
| E - Electret type microphone | CE515V2 |
| F - Light alloy handset | MS436A13 |
| G - Mounting brackets, option | GM337E2 |
| H - Second receiver, option | MS533A2A |
| I - Piezo howler | |

Spector Lumenex have a policy of continuous product improvement therefore this information is subject to change without notice.

© Copyright. This publication is the property of Spector Lumenex & may not be copied or transmitted without the express written permission of Spector Lumenex.