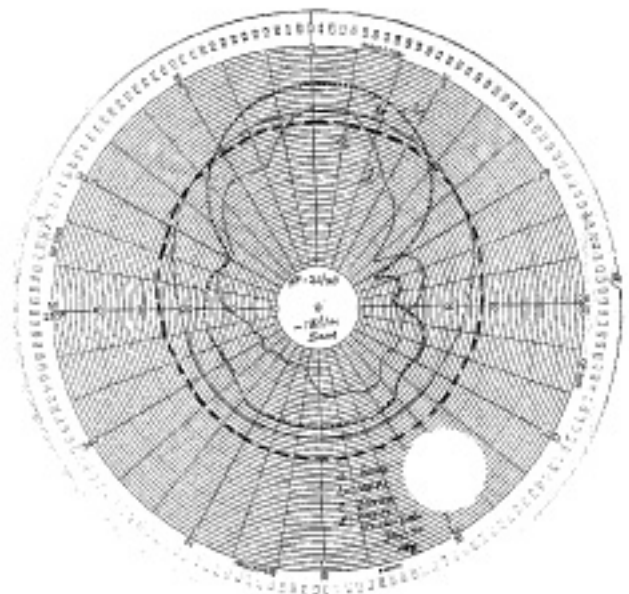


Loudspeaker 65010109-20S/T

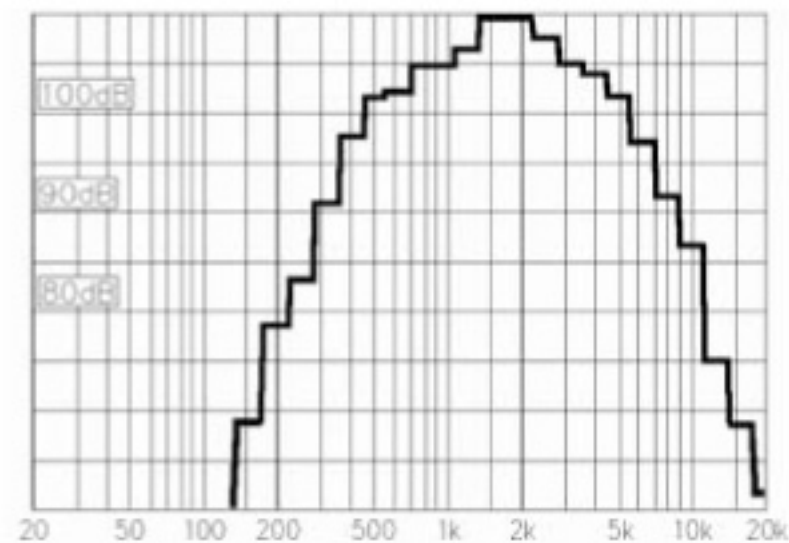


Specification

Material / Colour / Finish	Polyamide / RAL7035
Mounting	Bracket
Terminal	Inside screw connections
Weight without / with transformer (T)	1.8 / 2.3 Kg
Rated power / max. power	20/25 Watts
IP-norm	67
Max / min ambient temperature	+150 °C / -50 °C
Impedance	on request
Standard model transformer	100/50V
Effective frequency range	310 - 8000 Hz
SPL 1W / 1m	110 dBA
Dispersion (-6dB) 1kHz / 4k Hz	115 / 30 degrees
Certified by / certification code	NEMKO Ex nC IIC T8



1W/1m 1/3 octave pink noise

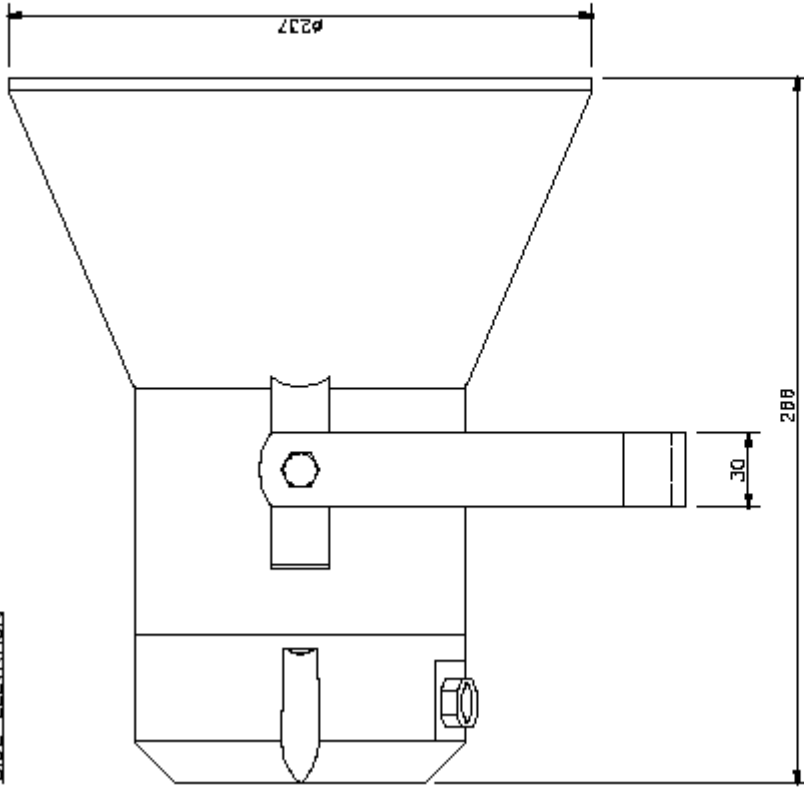


Transformer: 100/50 volt

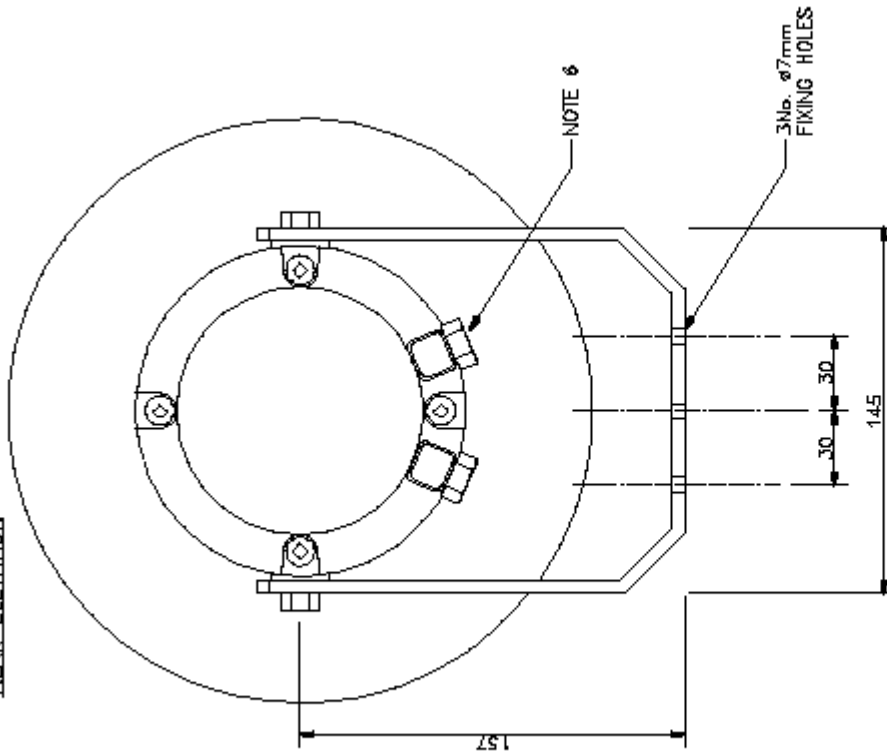
Secondary nominal tapings:

1 : 4	20,0 W
1 : 3	10,0 W
2 : 4	6,0 W
1 : 2	5,0 W
3 : 4	2,0 W
2 : 3	1,5 W

SIDE ELEVATION

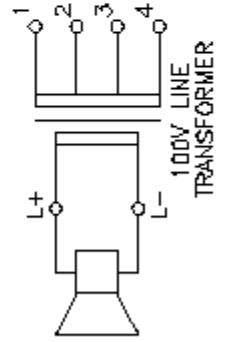


REAR ELEVATION



16) TRANSFORMER TAPPINGS:

- 1:4 20W
- 1:3 10W
- 2:4 5W
- 1:2 5W
- 3:4 2W
- 2:3 1W



NOTES

- 1) LOUDSPEAKER TYPE :- S/L 65010109.
- 2) MATERIAL :- POLYCARBONATE, NYLON.
- 3) COLOUR/FINISH :- GREY (RAL 7035).
- 4) MOUNTING :- BRACKET VIA 3No. SCREWS.
- 5) TERMINALS :- LOCATED INSIDE CHAMBER.
- 6) GLAND ENTRY :- UPTO 2No. M20 CABLE ENTRIES.
- 7) WEIGHT :- 2.3kg.
- 8) RATED POWER :- 20 WATTS.
- 9) MAXIMUM POWER R.M.S. :- 20 WATTS.
- 10) DISPERSION :- 115° @ 1000Hz, 30° @ 4000Hz.
- 11) I.P. RATING :- 67.
- 12) AMBIENT TEMPERATURE :- +15°C / -50°C.
- 13) IMPEDANCE :- 20 OHMS.
- 14) EFFECTIVE FREQUENCY RANGE :- 310Hz/8KHz.
- 15) SPL 1W/1m :- 110dB.