

### Explosion-Proof EExe Junction Boxes SLJB10 & 11

The SLJB10 and 11 are light weight compact junction boxes designed to provide reliable cable termination in a Zone 1 hazardous area. The units are totally corrosion proof and are suitable for installation in aggressive exposed outdoor locations.



PLEASE NOTE THAT TYPE AND SUPPLIER MAY VARY. THE ABOVE ILLUSTRATION IS AN EXAMPLE OF A TYPICAL UNIT ONLY.

A range of terminal assignments are possible and an earth continuity plate is a standard option. Where specified an engraved tag number label is available for attachment to the front face of the enclosure. Pre-cut gland entries are available, at least one each side of the enclosure, to suit glands up to 32mm isometric.

#### Key Features

- ✓ ATEX Certified – Safe for Zone 1 & Zone 2 hazardous areas
- ✓ Glass re-enforced polyester – totally rot proof
- ✓ IP66 ingress protection – suitable for external aggressive locations
- ✓ Retained cover screws – easy installation.

#### Electrical Specifications

Terminal Type Size	Max. No of Terminals		Max. Voltage	Max. Current
	SLJB10	SLJB11		
SAK 2.5	12	18	550	15
SAK 4	10	16	550	21
SAK 6N	8	13	550	26
SAK 10	5	9	550	37
SAK 16	-	8	550	47
HTB4/HTB6	1	1	550	37
BTB4 / BTB6	1	1	SLJB10 = 5 SLJB11 = 6	37
MK6/6	1	-	418	26
BK6	1	-	275	21
UK 2.5 b-Ex	11	17	418	15
UK 4-Ex	9	15	418	21
UK 10-Ex	7	12	418	37

Terminal Type Size	Max. No of Terminals		Max. Voltage	Max. Current
	SLJB10	SLJB11		
UK 16-Ex	5	8	418	47
AKZ 2.5	12	20	60	15

#### Mechanical Specifications

Material	Glass re-enforced polyester (anti-static) stainless steel cover screws
Finish	Self-coloured black
Weight (Ave.)	SLJB10: 1.1Kg; SLJB11: 1..8Kg
Ambient Temp.	-20°C to 55°C
Ingress Protect.	IP66
Gland Continuity	Via an internal plate

#### Gland Entries

				M16	M20 'O'	M20 'A'	M25	M32	
JB11	Max. No of Gland Entries With Or Without Earth Continuity	Per Side		2	2	2	2	1	
		Base		4	4	4	N/A	N/A	
JB10	Max. No of Gland Entries With Or Without Earth Continuity	Sides 1 & 3		2	2	2	1	1	
		Base		2	2	2	N/A	N/A	
	Max. No of Gland Entries	With	Earth Continuity	Sides 2 & 4	2	1	1	1	1
		Without			2	2	1	1	1



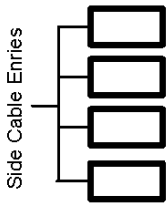
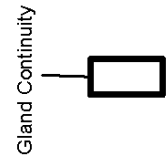
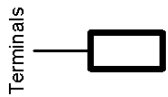
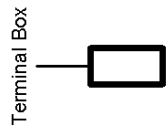
Morley Avenue  
Mapperley  
Nottingham  
NG3 5FW  
England

Tel: +44 (0) 115 955 11 99  
Fax: +44 (0) 115 955 19 19  
E-Mail: [tfis.voice.uk@tycoint.com](mailto:tfis.voice.uk@tycoint.com)  
http: [www.tycofis.co.uk](http://www.tycofis.co.uk)

## tyco

Fire & Integrated  
Solutions

# Order Information



SLJB10
SLJB11

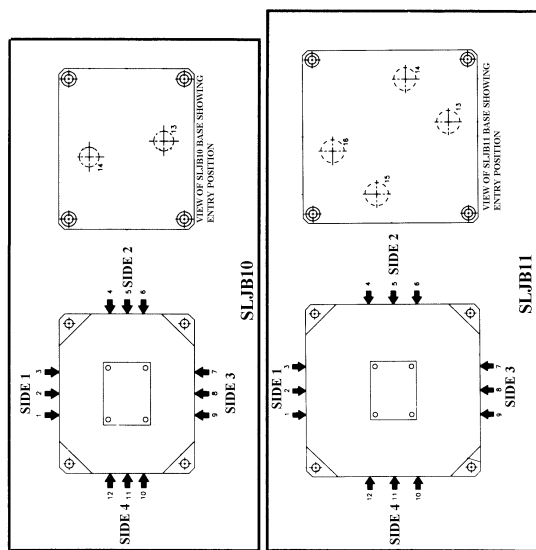
TYPE	CODE	TYPE	CODE
SAK 2.5	A*	SAK10	B*
SAK 6N	C*	SAK10	D*
SAK 16	E*	HTB 4	F*
HTB 6	G*	HTB 4	H*
BTB6	I*	BTB 6	J*
BK6	K*	UK 2.5 B-Ex	L*
UK 4-Ex	M*	UK 10-Ex	N*
UK 16-Ex	O*	AKZ 2.5	P*

CONTINUITY	CODE
None	N
Yes	Y

SIZE	CODE
None	N
M16	*A
M20	*B
M25	*C
M32	*D

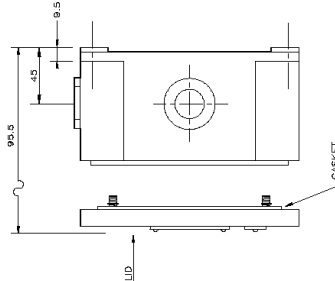
\*Prefix with cable entry position (see diagram on left)

\*Suffix with number of terminals (e.g. B6 = 6 x SAK4)  
 Please note, mixed combinations of SAK or UK Terminals can be supplied (e.g. 3 x SAK 2.5 & 4 x SAK 4)

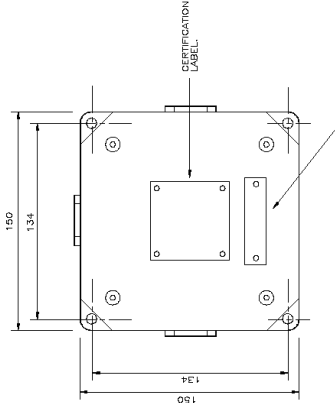


# SLJB11—General Arrangement

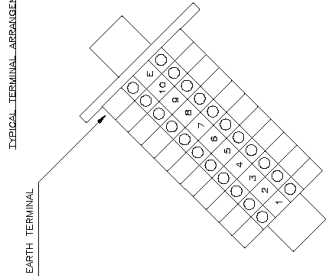
SIDE ELEVATION



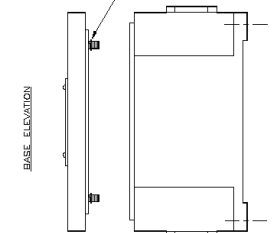
PLAN ELEVATION



TYPICAL TERMINAL ARRANGEMENT

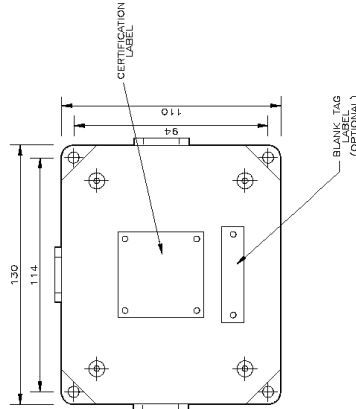


BASE ELEVATION

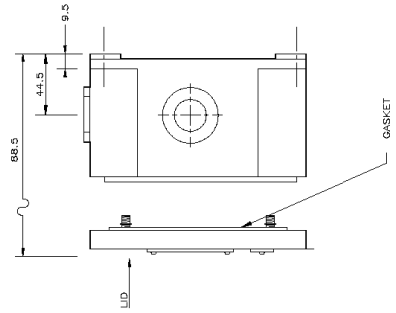


# SLJB10—General Arrangement

PLAN ELEVATION



SIDE ELEVATION



BASE ELEVATION

