

25 Watt Loudspeaker – Explosion-Proof



This loudspeaker, intended for use in potentially explosive gas atmospheres, has a power rating of 25 Watts and is suitable for use in gas groups IIB and hydrogen.

The flame-paths flare and body are manufactured from UV stable glass reinforced polyester. Stainless steel screws and mounting stirrup are incorporated to ensure a corrosion-free product.

Using UV-stable glass reinforced polyester (GRP) and stainless steel fittings, the unit will not corrode in even the most aggressive environments. In addition, its ingress protection rating of IP66 & 67 makes it ideal for offshore as well as onshore applications.

TECHNICAL / MECHANICAL SPECIFICATIONS

CERTIFICATION FLAMEPROOF & INCREASED SAFETY	ATEX II 2 GD EEx d IIC T135°C (-20°C T _{amb} +50°C)
CERTIFIED AMBIENT TEMPERATURE	-20°C to +50°C T4
INGRESS PROTECTION	IP66 & 67
MATERIAL	Corrosion-free GRP
OUTPUT	107 dBA at 1W @ 1 metre 119 dBA at 25W @ 1 metre
ENTRIES	Up to 2 x 20mm
WEIGHT	3.2kg (model dependant)
OPTIONS	Body colour (standard colour is black) Tag & duty labels Transformer voltage

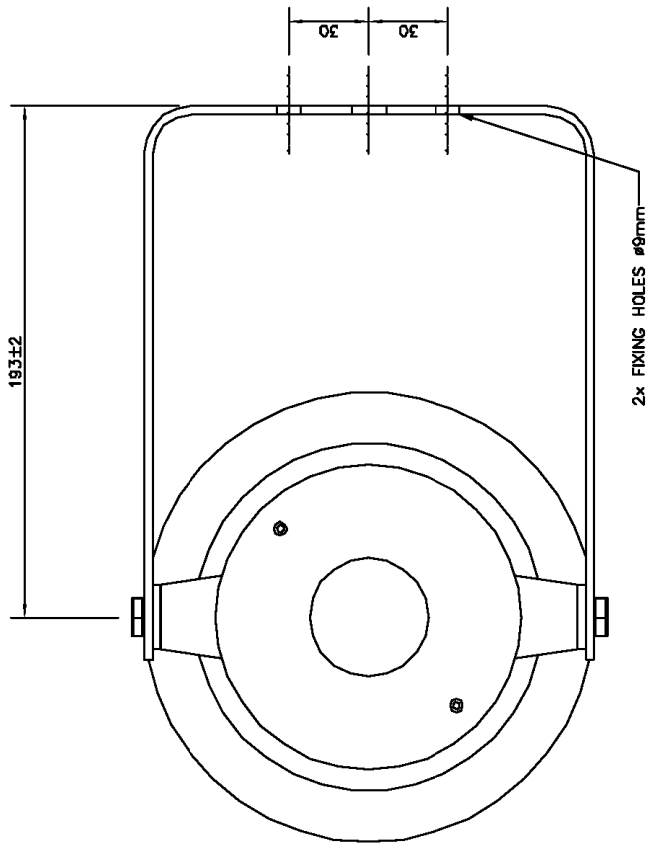
INSTALLATION AND MAINTENANCE GUIDELINES

- When installing and operating explosion-proof electrical equipment, the relevant national Regulations for installation and operation (e.g. IEE Wiring Regulations) must be observed.
- Ensure that all nuts, bolts and fixings are secure.
- The loudspeaker is mounted via 2 off Ø7mm (Ø0.28") fixing holes in the 'U' shaped stirrup/mounting bracket. If required, the unit can be initially placed via the Ø13mm (Ø 0.51") central hole in the stirrup. The unit can then be rotated to the required position and fixed via the other holes.
- The fixing holes have been designed to accept an M6 screw or bolt. The use of stainless steel screws is recommended.
- Ensure that only the correct certified stopping plugs are used to blank off unused gland entry points. The use of 'HYLOMAR PL32 COMPOUND' on the threads of the stopping plugs in order to maintain the IP rating of the unit is recommended.
- The loudspeaker should be positioned such that debris, dust or water cannot settle in the re-entrant horn.
- During the working life of the unit, it should require little or no maintenance. GRP will resist attack by most acids, alkalis and chemicals and is as resistant to concentrated acids and alkalis as most metal products.
- If abnormal or unusual environmental conditions occur due to plant damage or accident etc., then visual inspection is recommended.
- If the unit requires cleaning, then only clean exterior with a damp cloth to avoid electro-static charge build up.

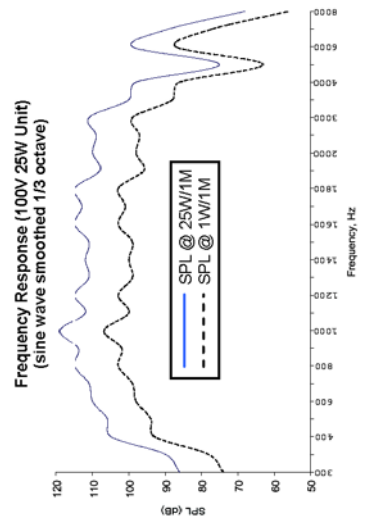
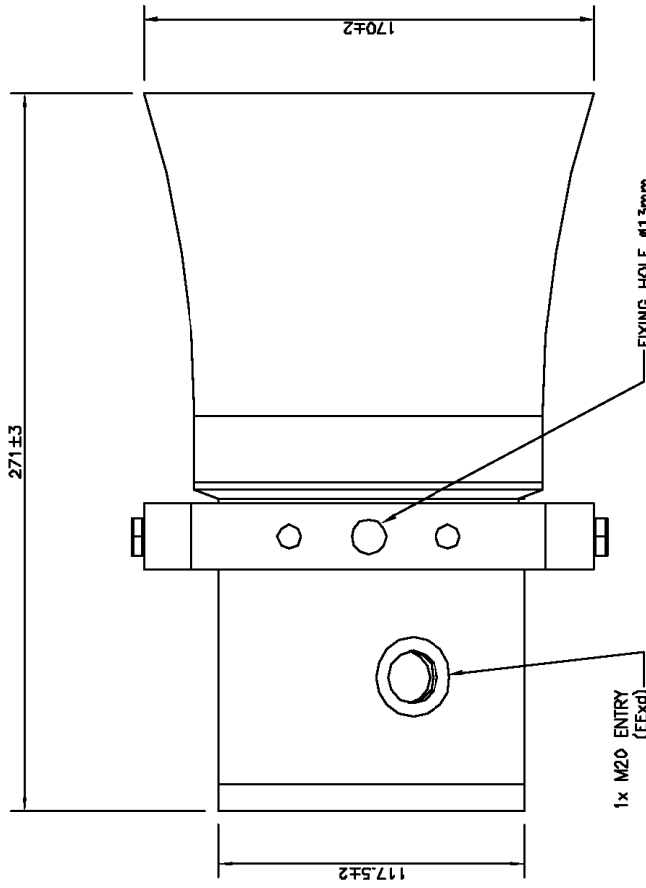


25 Watt Speaker—Explosion Proof

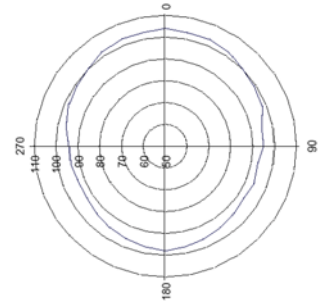
LOUDSPEAKERS END ELEVATION



LOUDSPEAKER PLAN ELEVATION



Polar Plot at 1KHz (100V 25W Unit)



TRANSFORMER TAPPINGS

1:2	25
2:3	12
3:4	6.0
1:3	4.0
2:4	2.0
1:4	1.0