

Ex ResistTel Explosionproof Telephone

The Ex-ResistTel is completely programmable, and has been equipped with a 21-piece stainless steel (V4A) steel keypad designed for use with gloves. Letters and figures are presented clearly on the alphanumeric display. The Ex-ResistTel also boasts all the convenient features that have become standard in the field of office communication.



Main Performance Data

- Protection IP 66
- Operations temperature -25°C to +60°C
- Stainless Steel (V4A) keypad
- Steel armoured handset cord with snap-protection
- Sound pressure level approx. 90 dB(A)
- Receiver volume can be boosted in 7 steps from 0 - 12 dB(A)
- Integrated adjustable stabilizer bracket
- Connections for external loudspeaker
- Handsfree operation
- Telephone directory

Types of Protection	II 2 G EExem[b] IIC T5 II 2 G EExem[ib] IIC T6
	II 2 D IP66 T100°C II 2 D IP66 T80°C
	-25°C ≤ Ta ≤ 60°C -25°C ≤ Ta ≤ 40°C
Approval	DMT 02 ATEX E 183
Line Voltage	24 VDC to 66VDC
Line Current	15 mA DC to 100mA DC
Housing	
Material	Glass fibre reinforced polyester
Height x Width x Depth	Approx. 266 mm x 227 mm x 135 mm
Weight	Approx 5.5kg
Keypad	Metal keypad with ice protection. 21 keys with ACB lettering for name entries.
Receiver	
Handset Cord	Stainless Steel (V4A) armoured handset cord
Environmental Conditions	
Degree of protection	IP 66 according to EN60529
Operation Temperature	-25°C to +60°C for temperature class T5
	-25°C to +40°C for temperature class T6
Further Characteristics	
Ringingsound pressure level	Approx. 90 dB(A) at 1m distance
Ringmelodies	10 melodies selectable
Listening by loudspeaker	Maximum sound pressure level approx. 68 dB(A) at 1 m distance.
Handsfree operation	Maximum sound pressure level approx. 68 dB(A) at 1 m distance.



DISPLAY

The two uppermost lines display the number or the menu settings.
 The lower line displays pictograms that correspond to the function.
 Menu language optional German or English
 (Please ask us about any other languages).

FUNCTION KEYS

Using these keys you may alter settings directly or make permanent changes to settings in the menu.

LOUDSPEAKER BUTTON

This button switches the loudspeaker or the handsfree operation feature on/off.

DISCONNECT KEY

Disconnect a call using this key.

LAST NUMBER REDIAL

Use this key to redial any one of the last dialed numbers..

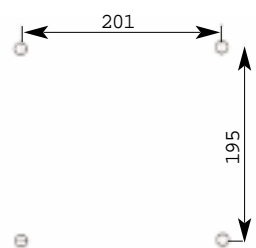
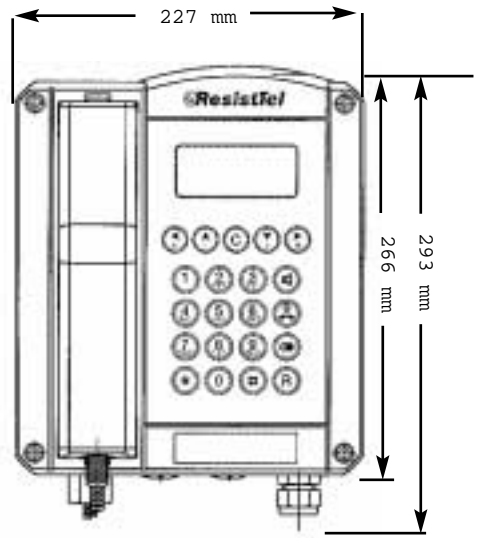
INQUIRY KEY

With key the functions of the PABX will be activated (flash).

HANDSFREE OPERATION

NUMBER KEYS

Use these keys to enter telephone numbers or texts.



MOUNTING DETAILS

The diameter of the drilled hole is dependant on the screw employed (screw diameter max. 8mm) and the type of supporting base material (steel, wood, concrete, plasterboard etc.) and must be chosen accordingly.

